

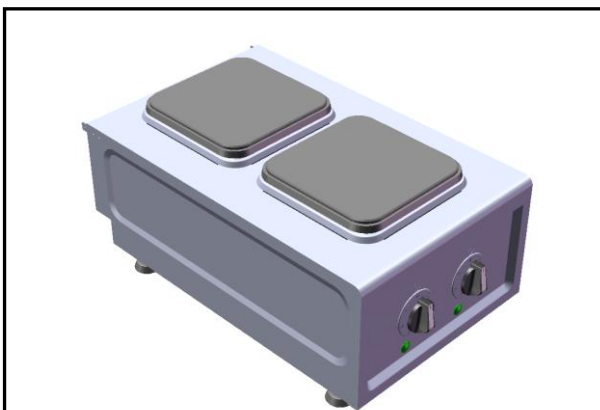


Total Food-Service Solutions

Modular Cooking - Amicus 600

Electric Hot Plate

NEHP 4-60 AM



*Due to routine technical improvement, the photograph shown may not represent the latest design of the products.

AVAILABLE MODEL

1. NEHP 4-60 AM

DESCRIPTION

Electric Hot Plate consists of 2 heating top with 2.6 kW power rate each, 6 power levels, installed on a pressed top panel.

Unit to be installed on open cabinet or similar elements, cantilever, or solid block solutions. Featuring rear seamless fitting to Amicus family products and unique removable seamless front panel.

ITEM# : _____

MODEL# : _____

NAME : _____

SN : _____

MAIN FEATURE

- Powerful 2.6 kW heating element each are installed on compact sized appliance.
- Pressed top panel for maximum hygiene.
- 6 Power Level selection.

CONSTRUCTION

- All exterior panels in 304 type of Stainless Steel
- Orbital top surface anti-scratch finishing.
- Top with 1.2 mm surface.
- Side with 1.2mm pressed surface.
- Front with 0.8 mm pressed surface.
- Adjustable ± 30 mm leg.

INCLUDED ACCESSORIES

- Clip Plate for Joining.

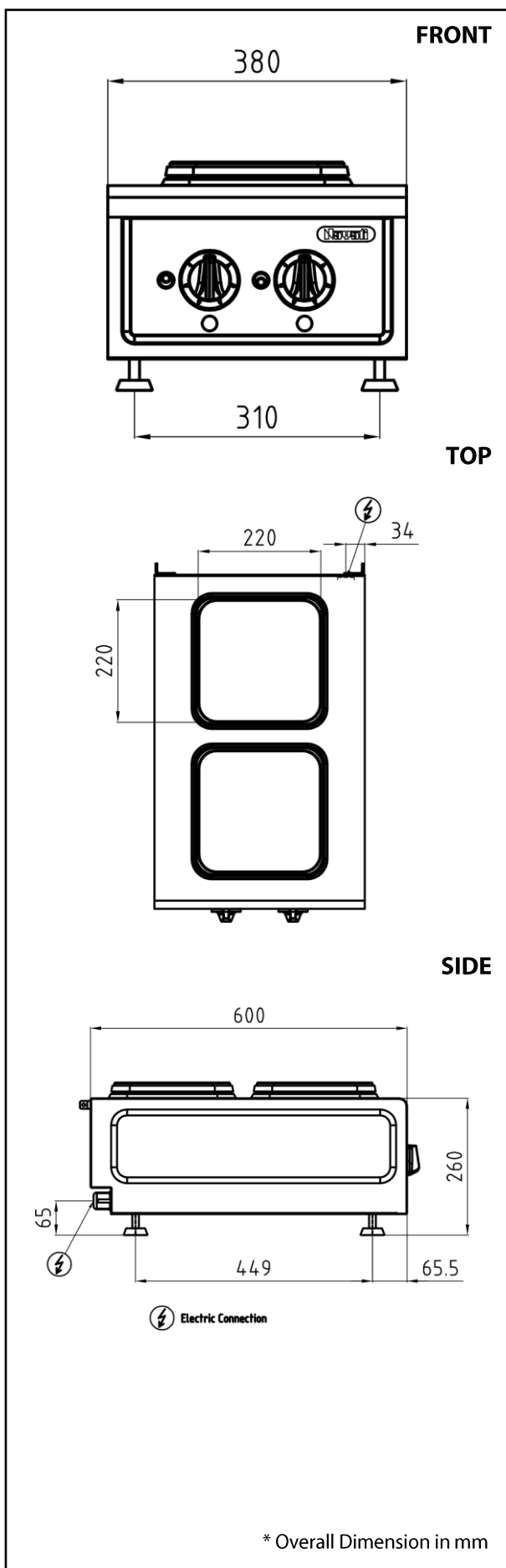
OPTIONAL ACCESSORIES

- Power cable.

The company reserves the right to make modifications to the products without prior notice. All information correct at time of printing.

2017.11.04





ELECTRIC

Electrical rating (kW)	:	5.2
Element rating (kW)	:	5.2
Electrical supply voltage	:	400V 3N
Required electrical supply (amps):		8
Power cable	:	
~ Cable type	:	H07RN-F
~ Cable dimension	:	5 x 2.5 mm ²
Electrical current split (amps) :		L1: 5.46
		L2: 5.17
		L3: 5.17

KEY INFORMATION

Cooking surface W x D	:	2 x (220x220)
Direct heat emission	:	1.04 kW
Latent heat emission	:	0.41 kW
Steam emission	:	0.61 kg / h
Number of hobs	:	2
Net weight	:	22kg
Shipping height	:	275 mm
Shipping width	:	450 mm
Shipping depth	:	700 mm
Shipping volume	:	0.087 m ³

* Overall Dimension in mm